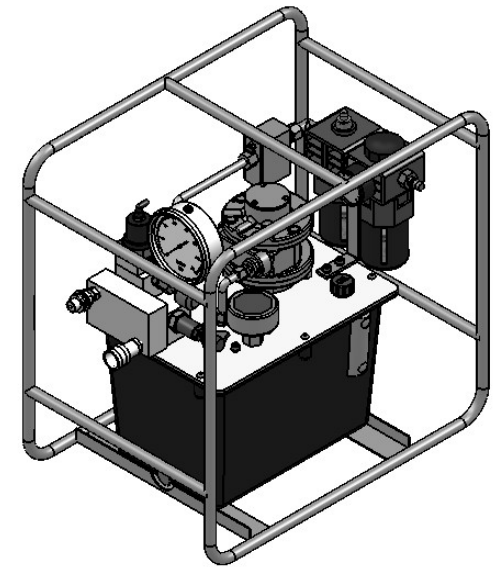
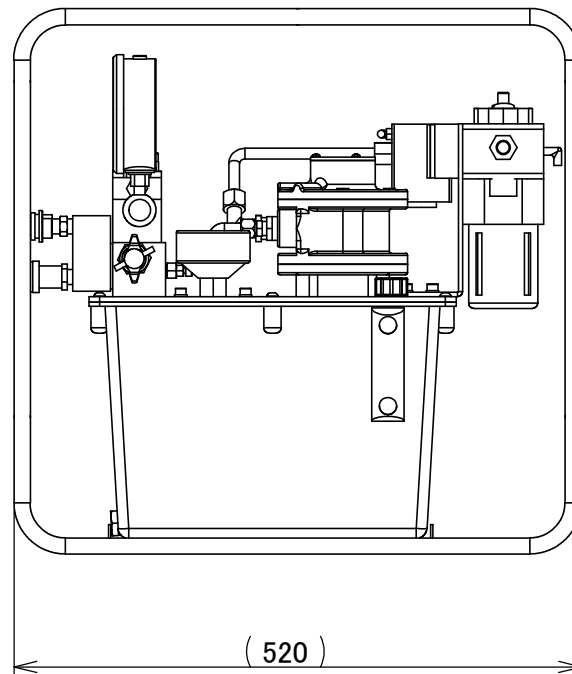
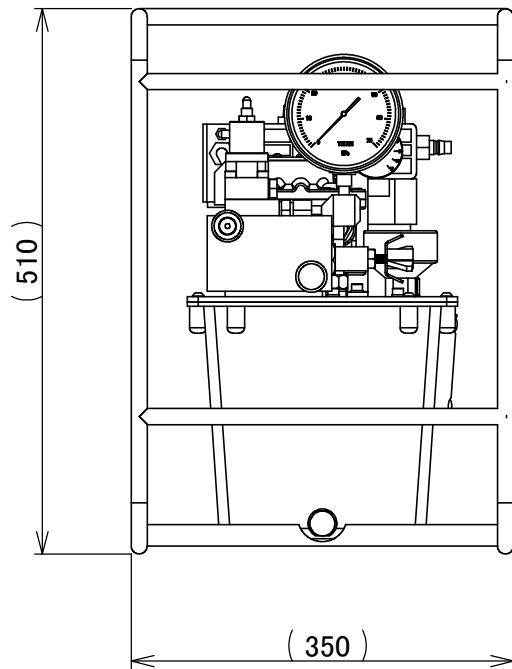


# Hydraulic Torque Pump EXA-MAX SERIES



REVISION


WEIGHT:	MATERIAL:	APPROVED	CHECKED	DRAWN
THIRD ANGLE PROJECTION	TREATMENT:	Nishida		Hirose
	SURFACE FINISH:			
Unit : mm	指示なき寸法公差は JIS B0405-m、JISB0419-mKによる	DATE:	SCALE:	DWG No.
		2013/05/27	-	



油圧ポンプ EXA-MAX 寸法図  
Hydraulic Torque Pump EXA-MAX  
Dimensional Drawing

EXA-MAX\_D      REV \*      SIZE A4