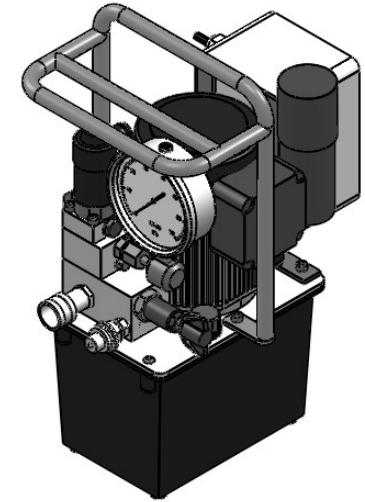
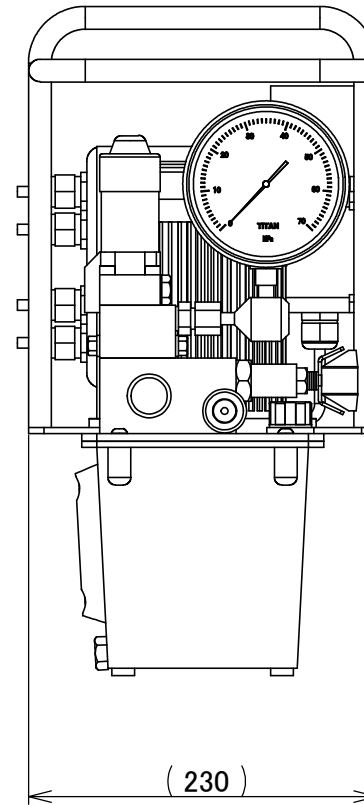
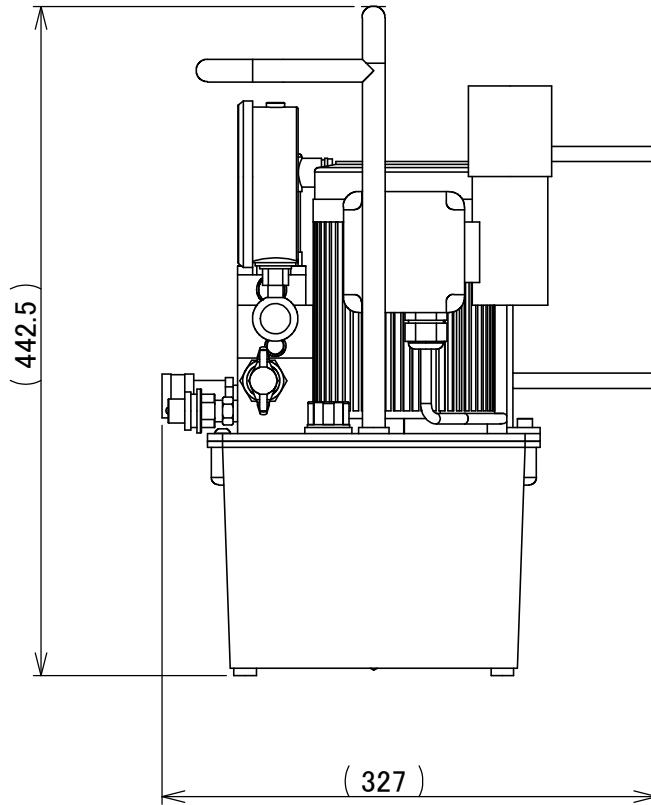
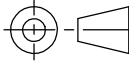


EXE-MINI SERIES



REVISION	A) 英語表記追加		2013/05/28 廣瀬/西田		 Unit : mm	WEIGHT: MATERIAL: TREATMENT: SURFACE FINISH: 指示なき寸法公差は JIS B0405-m、JISB0419-mKによる	APPROVED Nishida	CHECKED DATE: 2012/03/23	DRAWN Hirose	SCALE: -	DWG No. TITLE: 油圧ポンプ EXE-MINI 寸法図 Hydraulic Torque Pump EXE-MINI Dimensional Drawing	REV A	SIZE A4



油圧ポンプ EXE-MINI 寸法図
 Hydraulic Torque Pump EXE-MINI
 Dimensional Drawing

EXE-MINI_D

REV
A
SIZE
A4

